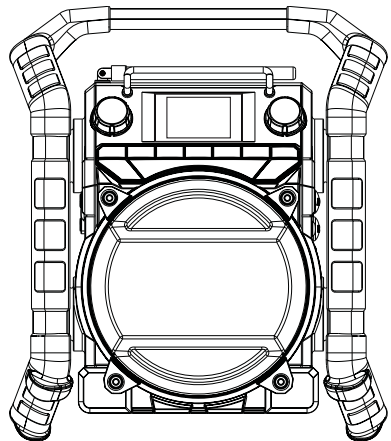
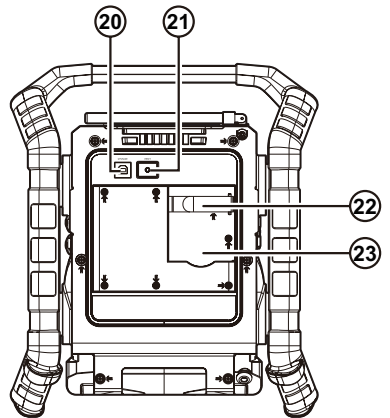
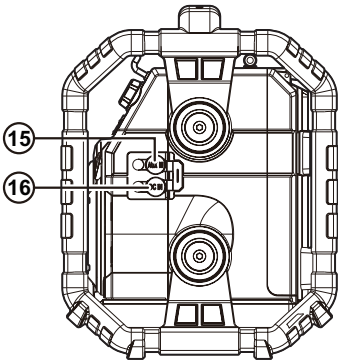
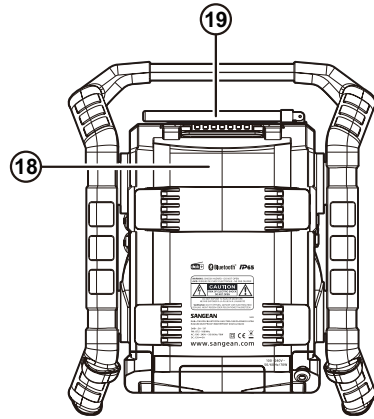
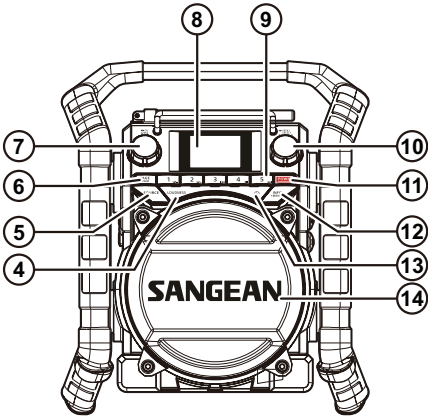
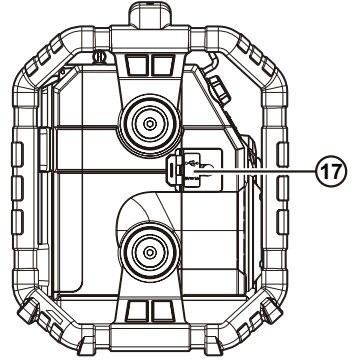
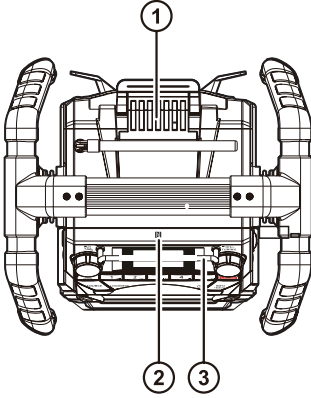


U4X



GB



Revision 2





The Bluetooth® word mark and logos are registered trademarks owned by Bluetooth SIG, Inc. and any use of such marks by SANGEAN ELECTRONICS INC. is under license.

IMPORTANT SAFETY INSTRUCTIONS

1. Please read these instructions carefully.
2. Please keep these instructions for future reference.
3. Heed all warnings.
4. Follow all instructions.
5. Do not use this appliance near water.
6. Clean only with a dry cloth.
7. Do not block any ventilation openings. Install in accordance with the manufacturer's instructions.
8. Do not install near any heat sources such as radiators, heat registers, stoves or other heat producing devices (amplifiers included).
9. Do not defeat the safety purpose of the polarized or grounded plug. A polarized plug has two pins, one wider than the other. A grounded plug has two pins and a third grounding pin. The wide pin, or the third pin, are provided for safety purposes. If the provided plug does not fit into your outlet, contact an electrician to replace the obsolete outlet.
10. Protect the power cable from being walked on or pinched, particularly at plugs, convenience receptacles and at the exit point from the appliance.
11. Only use attachments and accessories explicitly approved by the manufacturer.
12. Use only with carts, stands, tripods, brackets or tables specified by the manufacturer or sold with the appliance. When using a cart, use caution when moving the cart / appliance assembly to avoid injury from possible toppling over. 
13. Unplug this appliance during lightning storms or when not used for long periods.
14. Refer all servicing to qualified service personnel. Servicing is required when the appliance has been damaged in any way, i.e. damage to plug or power cable, liquid has been spilled or objects have fallen into the appliance, the appliance has been exposed to rain or moisture, does not operate normally or has been dropped.
15. Do not expose appliances to dripping or splashing and do not place any objects filled with liquids, such as vases, on top of them.
16. To reduce the risk of fire or electric shock, do not expose this appliance to rain or moisture.
17. Do not expose the battery to excessive heat, such as direct sunshine, fire or similar.
18. **CAUTION:** Danger of explosion if the battery is incorrectly replaced. Replace only with batteries of the the same or equivalent type.
19. To prevent possible hearing damage, do not listen at high volume levels for long periods. 
20. This appliance is provided with protection against splashing water and dust ingress (IP65).

21. The battery should be used or stored at an air pressure above 11.6kPa, otherwise it may explode or leak flammable liquids and gases.
22. Replacement of a battery with an incorrect type that can defeat a safeguard (for example, in the case of some lithium battery types).

Disposal of a battery into fire or a hot oven, or mechanically crushing or cutting of a battery, that can result in an explosion.


Leaving a battery in an extremely high temperature surrounding environment that can result in an explosion or the leakage of flammable liquid or gas.


A battery subjected to extremely low air pressure that may result in an explosion or the leakage of flammable liquid or gas.

23.  : The symbol indicates class II equipment.

 : The symbol indicates AC voltage.

 : The symbol indicates DC voltage.

24.  : The lightning flash with arrowhead symbol, within an equilateral triangle, is intended to alert the user to the presence of uninsulated "dangerous voltage" within the product's enclosure that may be of sufficient magnitude to constitute a risk of electric shock to persons.

 : The exclamation point within an equilateral triangle is intended to alert the user to the presence of important operating and maintenance (servicing) instructions in the literature accompanying the appliance.

CAUTION: To reduce the risk of the electric shock, do not perform any servicing other than that specified in the operating instructions, unless you are qualified to do so.

Warning: Please do not attempt to remove or replace the built-in lithium battery. Unauthorized replacements may also void the warranty.

PRODUCT DESCRIPTION

- 1 Battery compartment lock
- 2 NFC detection tag
- 3 Display protection bar
- 4 LOUDNESS button
- 5 SOURCE button
- 6 PAGE / PAIR button
- 7 VOLUME knob / EQ button
- 8 LCD display
- 9 PRESET buttons
Preset 1 / PREVIOUS FOLDER
Preset 2 / NEXT FOLDER
Preset 3 / PREVIOUS TRACK
Preset 4 / PLAY / PAUSE
Preset 5 / NEXT TRACK
- 10 TUNING knob / SELECT / SEEK button
- 11 POWER button
- 12 MENU / INFO button
- 13 ALARM / SLEEP / TIMER button
- 14 SPEAKER

- 15 AUX IN jack
- 16 DC IN socket
- 17 USB port
- 18 Battery compartment
- 19 Rod antenna
- 20 UPGRADE socket
- 21 RESET button
- 22 Velcro strap
- 23 Storage space

POWER SUPPLY

AC OPERATION

Before you plug the AC cable into an AC socket, be sure that the voltage is fully compatible with this radio.

GB The hooks on the back of the radio are designed to store the AC cable when you are not using it.

Warning:

The AC plug is used as the means of connecting the radio to the mains supply. The mains socket used for the radio must remain accessible during normal use. In order to completely disconnect the radio from the mains, the plug should be completely removed from the mains outlet.

DC IN OPERATION

This radio may be powered via its DC IN socket, which allows the use of a 12V DC adaptor (not included).

Notes:

- To prevent moist from entering the radio, never use the 12V socket in rainy or moist conditions.
- Always keep the rubber cover on the back well closed under these conditions.

BATTERY OPERATION

The radio may be powered by the built-in rechargeable battery.

This radio is equipped with a fully integrated rechargeable 10.8V 18650/3200mA 31.1Wh lithium battery which automatically connects when the AC power supply is not in use, and recharges when the radio is on AC power mode.

The battery lasts approximately 14 hours under normal usage conditions, and it takes about 4 hours to fully recharge.

The three bars battery icon on the top right corner of the LCD display indicates the current residual charge level of the battery. The bars inside the battery icon will gradually disappear with the decreasing battery level. When the battery is about to be totally depleted, the empty battery icon will flash. In this case, immediately plug the AC cable into an AC socket to continue using your radio.

DAB RADIO

Tuning into DAB stations

1. Straighten up the rod antenna.
2. Press the **POWER button** to switch on the radio.
3. Select the DAB Radio mode by repeatedly pressing and releasing the **SOURCE button**.

4. If this is the first time the DAB radio mode is being used, the radio will automatically perform a full scan in order to find all available DAB radio stations. During the scanning process, as new stations are detected the station counter will increase and the stations will be added to the list which is stored in the radio. The bar graph indicates the progress of the scan.

5. When the scanning is completed, the radio will list all stations found and automatically play the first available station. Use the **TUNING knob** to scroll through the list of stations and press the **Tuning knob** to tune into a station.

DAB Radio display options

When listening to a DAB radio broadcast, repeatedly press the **INFO button** to cycle through the following information on the radio's display:

- Text
- Program type
- Multiplex name & Frequency
- Date
- Bit rate, Codec & Audio type
- Signal error & Strength
- DL Plus text (Some stations may provide other programme related information for the display in addition to the regular text. If none is available, a message "no info" is displayed.)

If a DAB broadcast provides a slideshow image, this may be viewed full-screen by pressing the **TUNING knob**. To exit the slideshow image, press the **TUNING knob** again.

DAB Radio options menu

You can access the DAB radio menu by pressing and holding the **MENU button** while the radio is in the DAB radio mode. Use the **TUNING knob** to scroll through the options in the menu. Press the **TUNING knob** to confirm the setting. The radio's default and recommended settings are indicated using an asterisk.

The DAB radio menu offers the following options:

- **Station List:** Select this option to display all DAB radio stations that were found and tune into one of the stations.
- **Full Scan:** Select this option to perform a full scan and store all DAB radio stations that were found in the station list.
- **Manual Tune:** Select this option to manually tune into a DAB channel / frequency.
- **Station Order:** Select this option and subsequently select "Alphanumeric" to sort the station list alphanumerically or select "Ensemble" to sort the station list by DAB multiplex or select "Valid" to show only those stations for which a signal can be found.
- **DRC:** Dynamic Range Control (also known as DRC) can make quieter sounds easier to hear when your radio is used in a noisy environment by reducing the dynamic range of the audio signal.

After selecting this option, select the desired DRC setting:

DRC off (default): DRC is switched off. Broadcast DRC will be ignored.

DRC low: DRC level is set to 1/2 that sent by broadcaster.

DRC high: DRC is set as sent by broadcaster.

Note: Not all DAB broadcasts are able to use the DRC function. If the broadcast does not support DRC, then the DRC setting in the radio will have no effect.

- **Prune Invalid:** Select this option to delete all unavailable and obsolete stations from the list.
- **System Settings:** (see System Settings section).

FM RADIO

Tuning into FM stations

1. Straighten up the rod antenna.
2. Press the **POWER button** to switch on your radio.
3. Select the FM mode by pressing and releasing the **SOURCE button**.
4. Tune to a station either manually, or with auto-tuning, or by recalling a station from the preset memory (see preset memory).
5. Adjust the volume to the desired level.

Manual tuning

- Rotate the **TUNING knob** clockwise to move to a higher frequency in steps of 50kHz.
- Rotate the **TUNING knob** anticlockwise to move to a lower frequency in steps of 50kHz.
- When the end of the waveband is reached, your radio will continue from the opposite end of the waveband.

Auto-tuning

- Press the **TUNING knob** to search for a station in the direction of the last manual tuning.
- The radio will stop automatically when it finds a station of sufficient strength.
- When the end of the waveband is reached, the search will resume from the opposite end of the waveband.

FM Radio display options (RDS)

When listening to a FM radio station that is also broadcasting RDS data (the RDS icon is shown on the radio's display), press and release the **INFO button** to cycle through the following information on the radio's display:

- Radio text
- Program type
- Signal strength
- Date

If no RDS information is available, the radio will be unable to display the text message and program type.

FM Radio menu options

You can access the FM radio menu by pressing and holding the **MENU button** while the radio is in the FM radio mode. Use the **TUNING knob** to scroll through the options in the menu. Press the **TUNING knob** to confirm the setting. The radio's default and recommended settings are indicated using an asterisk.

The FM radio menu offers the following options:

- **FM Scan Zone:** Set your radio to either scan for "Local" (Strong stations only) or for "Distant" FM stations (all stations).

- **System Settings:** (see System Settings section)

PRESET MEMORY – FM & DAB

You may store your preferred FM and DAB radio stations into the preset memory. For each band, there are 25 preset memories divided in 5 pages on the LCD display.

Storing a station in the preset memory

1. When the radio is turned on, press the **SOURCE button** to select DAB Radio or FM Radio mode.
2. Tune into a station as previously described.
3. Press and hold a **PRESET button** to store the station in that position **in the current page** until the confirmation message appears on the LCD display.
4. Alternatively, to store the currently playing radio station as a preset, press the **PAGE button** to select the desired preset pages 1 to 5.
5. Press and hold the desired **PRESET button** until the confirmation message appears on the LCD display.
6. Repeat this procedure as needed for the remaining preset memories. Any stations already stored in the selected preset memory will be overwritten.

Recalling a station from the preset memory

Press a **PRESET button** to recall the station stored in that position **in the currently selected page**.

Alternatively, press the **PAGE button** to access a different preset memory page. Then rotate the **TUNING knob** to select a station and press to confirm.

AUXILIARY SOURCE

The 3.5mm AUX-IN jack on the right side of your radio allows you to connect an external device (iPod, MP3 player, CD player, etc.) to your radio via an Aux-In cable.

Playing audio through an auxiliary input connection

1. When the radio is turned on, select the AUX IN mode by pressing and releasing the **SOURCE button**.
2. Plug one terminal of the Aux-In cable into the external device and the other terminal into the 3.5mm AUX-IN jack of your radio. The radio will now play music from the external audio device.
3. Adjust the volume setting on your external device to ensure an adequate signal level from the external device, then rotate the **VOLUME knob** on your radio as needed for comfortable listening.

Note: Never use the Aux-In jack in rainy or moist conditions, to prevent moist from entering the radio. Always keep the rubber cover well closed under these conditions.

BLUETOOTH AUDIO STREAMING

You can stream music via Bluetooth through your "U4X" by pairing your external Bluetooth device with your radio. Pairing creates a link allowing the two devices to recognise each other.

The effective Bluetooth range between the system and the paired device is approximately 10 meters (30 feet). Any obstacle between your radio and the device can reduce this range.

GB

Some paired Bluetooth devices may not support all the features.

Pairing with an external Bluetooth device

1. Activate Bluetooth on your external device following the external device instructions.
2. Press the **POWER button** to switch on your radio.
3. Select the Bluetooth mode by pressing and releasing the **SOURCE button**. The "BT Pairing" will show on the LCD display and the Bluetooth icon in the bottom bar of the display will blink.
4. For a **first time pairing**, open the list of detected Bluetooth devices on the external device and select "U4X". If the pairing is successful, the name of the external device will replace the message "BT Pairing" on the LCD display. The Bluetooth icon in the bottom bar of the display will stop blinking.

Some devices may feature an earlier version of Bluetooth than "BT 2.1" and might require a password, in which case input the default password "0000".

If two external Bluetooth devices are attempting to pair for the first time, both will search for your radio. However, after the first one pairs with your radio, the other device won't find it on its list.

5. If a **previously paired device** is within range and its Bluetooth function is active, the radio will automatically attempt to connect to it. If the automatic pairing fails, pairing can be done manually by selecting "U4X" in the external device list of the detected Bluetooth devices.

If "U4X" appears in the list of your external device but it's impossible to connect to it, please delete it from your list and follow the procedure for first time pairing.

6. Once your radio is paired, simply select and play any music from your source device. Adjust the volume either from your external device or directly on your radio.

Use the controls on your external device to play, pause and navigate tracks. Alternatively, control the playback using the **PLAY / PAUSE, NEXT TRACK, PREVIOUS TRACK** buttons on your radio.

Press and hold the **NEXT TRACK** or **PREVIOUS TRACK** button to fast forward or rewind within a track and release the button when the desired point is reached.

These controls are not supported by all applications and devices.

Notes:

- If your radio is already paired to a device, a further pairing will not be possible, and your radio will not appear on the list of detected Bluetooth devices on the external device.
- Your radio can memorise up to 6 paired devices and will overwrite the oldest pairing history when this number is exceeded.
- Some mobile phones may temporarily stop their Bluetooth audio streaming and disconnect from your radio when making or receiving phone calls, when they receive text messages or emails, or for other reasons unrelated to the audio streaming. Such behaviour is a function of the external device and does not indicate a fault with your radio.

Showing Bluetooth information on the display

When listening to Bluetooth audio, press and release the **INFO button** to cycle through the following information on the radio's display:

- Title
- Artist
- Album
- Date

Please note that the availability of information depends on the specific media format.

Disconnecting your Bluetooth device

To disconnect your Bluetooth device, either turn off Bluetooth on the Bluetooth device, press and hold the **PAIR button** to switch over to the pairing mode (the Bluetooth icon in the bottom bar of the radio's display will blink), or switch to any mode other than Bluetooth mode.

TRUE WIRELESS STEREO (TWS) FUNCTION

You can use the True Wireless Stereo (TWS) function to connect your radio to a second U4X radio and play music via Bluetooth through two speakers.

Set up the first speaker

1. Make sure the first speaker is in Bluetooth mode and paired to a Bluetooth device.
2. Press and hold the **MENU button**, then rotate the **TUNING knob** to select "TWS Pair".
3. Press the **TUNING knob** to enter the stereo pairing mode.

Set up the second speaker

1. Make sure the second speaker is in Bluetooth mode and not connected to a Bluetooth device.
2. Press and hold the **MENU button**, then rotate the **TUNING knob** to select "TWS Pair".
3. Press the **TUNING knob** to enter the stereo pairing mode.

When the connection is successful, the first speaker will display "Lead Stereo". The second speaker will display "Follow Stereo".

Notes:

- Set up the second speaker within 1 minute of the first one, otherwise the setting of the first speaker will be cancelled.
- When both speakers are connected to the same Bluetooth device, the TWS function cannot be set. In this case, you need to disconnect the Bluetooth connection of one of the speakers to set up the TWS function.

Start playback

1. Start playback on the external Bluetooth device and adjust the volume for comfortable listening on the external device itself or one of the speakers.

Note: Volume, EQ adjustment and Loudness setting of one speaker is reflected on the other.

2. Use the controls on your Bluetooth external device to play / pause and navigate tracks. Alternatively, control the playback using **PLAY / PAUSE**, **NEXT TRACK**, **PREVIOUS TRACK** buttons on one of the speakers.
3. Press and hold the **NEXT TRACK button** or **PREVIOUS TRACK button** on one of the radios to move through the current track. Release the button when the desired point is reached.

Note: Not all player applications or devices may respond to all of these controls.

Switching the audio mode

Using two speakers, you can switch between “Stereo”, “Left” and “Right” mode.

1. Press and hold the **MENU button** to access the Bluetooth menu.
2. Rotate the **TUNING knob** to select “TWS L / R” and then press the **TUNING knob** to confirm.
3. Rotate the **TUNING knob** to select the option you need. Then press the **TUNING knob** to confirm.
 - “Stereo” mode: Both speakers play the same sound (default setting).
 - “Left” and “Right” mode: One speaker plays the sound on the left channel, while the other speaker plays the sound on the right channel for stereo playback between the speakers.

Disconnecting the TWS Function

1. Press and hold the **MENU button** to access the Bluetooth menu.
2. Rotate the **TUNING knob** to select “TWS Cancel”, then press the **TUNING knob** to confirm.

PAIRING AND PLAYING YOUR DEVICE VIA NFC

Your U4X radio is equipped with a wireless NFC (Near Field Communication) feature, allowing NFC-enabled devices to pair and play music. For non-NFC devices, please refer to the above sections for standard Bluetooth pairing.

1. Turn on your NFC feature on your external device and make sure its screen is on and unlocked. If you would like to pair another external Bluetooth device for the first time via NFC, disconnect the currently paired Bluetooth device first.
2. Touch the NFC area of your external device against the NFC area marked just above the control panel of the “U4X”. The unit will switch to Bluetooth mode and enter automatic pairing.

The location of the NFC detection area is not the same on all external devices. Refer to the instructions of the external device for more information.

If you pair an external device with “U4X” for the first time, your NFC-enabled external device will be asked permission to link with the radio. Once paired with a device, the Bluetooth icon will remain on.

3. Use the controls on the external device or on the radio to play / pause and navigate tracks.

Note: Some mobile phones metallic cases or covers may reduce the NFC sensitivity. Make sure you remove them, before activating the NFC.

Disconnecting your NFC-enabled device

To disconnect your external device, make sure its screen is on and unlocked, and simply touch it again on the top of the unit. The Bluetooth icon will start to flash indicating your radio is discoverable again and ready for a new pairing.

USB EXTERNAL MEMORY

Your radio can play audio files from an USB external memory. To connect an USB memory proceed as follows:

1. Open the rubber protective cover from the **USB port** on the left-hand side of the radio and connect a USB memory device.
2. Turn on the radio. Select the USB mode by pressing and releasing the **SOURCE button**.
3. The message “Reading” will appear on the LCD display, then the radio will automatically start playing tracks from the USB memory.
4. Press the **PREVIOUS FOLDER button** and the **NEXT FOLDER button** to navigate the folders.
5. Press the **PLAY / PAUSE button** to start and pause the reproduction.
6. Press the **PREVIOUS TRACK button** to restart the current track or to pass to the previous track. Press and hold to rewind back to a point in the current track.
7. Press the **NEXT TRACK button** to skip to the next track. Press and hold to fast forward to a point in the current track.
8. Repeatedly press the **TUNING knob** to select a play mode. The available playback modes are:

- Repeat one track
- Repeat a folder
- Repeat all tracks
- Repeat intro
- Shuffle playback

The indicator of the selected play mode is shown at the bottom of the radio’s display. After random play, press the **TUNING knob** once more to switch back to normal playback.

Your radio is designed to work only with USB flash memory cards and cannot be connected to hard disk drives or any other type of USB device.

It is possible to use SD or SDHC cards for media playback when held in a suitable USB adaptor (not included). However, due to the wide variety of adaptors on the market, it is not possible to guarantee that all “adaptor + card” combinations will work with this radio.

The radio has been tested with a range of USB memory cards of up to 32GB capacity. It supports USB 2.0 full speed and USB 3.0. Even so, for technical reason it is not possible to guarantee that all USB memory cards are compatible with this radio.

When using USB 3.0, please allow a little more time for the radio to detect the device.

USB memory cards must use the FAT or FAT 32 filing system in order to operate with the radio. The NTFS filing system is not supported.

GB

Audio formats supported for playback are MP3, WMA and AAC. The formats WMA lossless, WMA Voice, WMA 10 professional, and files of any format with DRM protection are not supported.

If you turn off the radio while playing music in USB mode, the next time the radio is turned on, it will resume from the last played track.

If you switch to another mode while playing music in USB mode, playback will be paused. When you switch back to the USB mode again, playback will resume from the point where it was paused.

It is recommended to store only music files (MP3, WMA, AAC) in your USB memory device. If a folder contains file(s) of a type different than audio files, your radio will skip this folder and the folder number shown on the display will not be serial.

Warnings:

- In order to minimise the risk of damage to your USB memory (and your radio), please place the radio where the USB memory device cannot be easily knocked while it is inserted in the USB port.
- Turn off the radio before removing your USB memory device.
- Remove the USB before carrying the radio or if not using the USB feature for a prolonged period.
- Large size files or large memory USB device take longer time to read.

Showing track information on the display

When listening to audio from a USB device, press and release the **INFO button** to cycle through the following information on the radio's display:

- File name
- Title
- Artist
- Album
- Date

SYSTEM SETTINGS

When the radio is turned on, press and hold the **MENU button**, then rotate the **TUNING knob** to select "System Settings" and press the **TUNING knob** to open the menu.

The System Settings menu offers the following options:

Rotate the **TUNING knob** to select one of the options and then press the **TUNING knob** to confirm your choice. Press the **MENU button** to go back to the previous page, or to exit the menu option without saving. The radio's default and recommended settings are indicated using an asterisk.

• Time setup

Select this option to set the time and date manually, to set the source for automatically updating the time and date, or to set the time format.

• Backlight

Select this option and then select "Timeout" to adjust the length of time before the backlight turns off or select "On Level" to adjust the display's brightness level when the radio is turned on or select "Standby Level" to adjust the backlight brightness when the radio is in standby mode.

• USB Charge

Your radio has a USB port on its left-hand side, which can be used to charge smartphones and similar low voltage devices. The USB port is protected by a rubber cover. When the port is not in use, the rubber cover should always be closed to prevent dust or dirt from entering.

When the radio is battery operated, the option "**USB Charge**" will appear in the System Settings. The USB Charge feature can be used to charge external USB devices and can be enabled or disabled by selecting "On" or "Off". **In order to save battery power, this feature is disabled (Off) by default and needs to be enabled (On) in order to charge external USB devices.** However, when the radio is in USB mode, external devices can always be charged, regardless of whether the USB Charge function has been enabled or disabled.

When the radio is powered from the mains or by a 12V DC IN adaptor (not included), external USB devices can always be charged, even when the radio is in Standby mode.

When the radio is battery operated, external USB devices cannot be charged if the radio is turned off.

Once the external device is fully charged, disconnect it from the radio and put back the rubber cover.

Recharge time may vary and usually takes longer than when using a standard charger.

Warnings:

- Do not connect power sources to USB port, to avoid the risk of fire. The USB port is only intended for charging lower voltage devices.
- Do not connect this USB port with your PC USB port, as it is highly possible that both units will be damaged.
- Do not insert nails, wires, etc. into USB port, otherwise you may cause a short-circuit with risk of fire.
- The radio may not supply power to some USB devices.
- When not in use or after charging, remove the USB cable and close the rubber cover.
- Never use the USB port in the presence of rain or high humidity, to prevent moisture from entering the radio. Keep the rubber cover well closed under these conditions.

• Language

Select this option to configure the language in which the radio's menus are shown.

• Factory Reset

Select this option to reset the radio to the default factory settings. After confirmation, all user settings and preset stations will be erased.

• SW Version

Select this option to view the software version of the radio.

ALARM

Your radio has 2 separate alarms which can be set to wake you to FM / DAB Radio or Buzzer. The alarms will sound with gradually increasing volume (**Humane**

Waking System). Each alarm can be set to sound once, daily, on the weekdays or on the weekends. Ensure that the current time is set correctly before setting the alarms.

1. When the radio is turned on, in any mode except from inside a menu, press the **ALARM / SLEEP / TIMER button** to enter the "Timers" menu.
2. Rotate the **TUNING knob** to select "Alarm" and press the **TUNING knob** to confirm. Both alarms and their settings will be shown on the display.
3. Rotate the **TUNING knob** to select the desired alarm and press the **TUNING knob** to confirm.

The submenu for configuring an alarm offers the following options:

- **Enable:** Select this option to configure the alarm frequency, the available settings here are "Off", "Daily", "Once", "Weekdays" and "Weekends".
 - **Time:** Set the time for the alarm.
 - **Source:** Select the alarm sound between DAB, FM, and Buzzer.
 - **Preset:** Select this option to select a preset or the last listened station as the alarm source.
 - **Volume:** Select this option to set the alarm volume.
 - **Save:** Select this option to save the alarm settings. To exit without saving press the MENU button. If you save the alarm, the relevant alarm icon will appear on the LCD display to confirm that the alarm is active.
4. Press the **POWER button** to deactivate and cancel a sounding alarm. Press any other button to activate a 5 minutes snooze time. You can cancel the snooze time by pressing the **POWER button** at any time.

Note: To cancel the alarm before it sounds, repeat steps 1~3, access the "Enable" option and select "Off".

SLEEP


Use the "Sleep" function to program the radio to switch off after 15~120 minutes.

1. When the radio is turned on, in any mode except from inside a menu, press the **ALARM / SLEEP / TIMER button** to enter the "Timers" menu.
2. Rotate the **TUNING knob** to select "Sleep" and press to confirm.
3. The LCD display will show "Sleep off". Rotate the **TUNING knob** to select the duration of the timer in minutes between: 15, 30, 45, 60, 90, 120.
4. Press the **TUNING knob** to save or press the **MENU button** to exit without saving.
5. If you save your settings, the sleep icon will appear on the LCD display showing the countdown to switch off.

Note: To cancel the "Sleep" function before the end, repeat steps 1~3, set the timer to "Sleep off". Press the **TUNING knob** to confirm.

TIMER

Use the "Timer" function to set a countdown timer from 00:01 to 60:59, at the end of which the buzzer will sound. The buzzer will sound with gradually increasing volume (**Humane Waking System**).

1. When the radio is turned on, in any mode except from inside a menu, press the **ALARM / SLEEP / TIMER button** to enter the "Timers" menu.
2. Rotate the **TUNING knob** to select "Timer" and press the to confirm.
3. Rotate the **TUNING knob** to set the minutes and press to confirm and move to the seconds. Press the **TUNING knob** to confirm or press the **MENU button** to exit without saving.
4. If you save your settings,  will appear on the LCD display.
5. Press the **POWER button** to deactivate and cancel a sounding timer alarm.

Note: To cancel the "Timer" function before it sounds, repeat steps 1~3 and set the "Timer" time to "00:00". Press the **TUNING knob** to confirm.

EQUALISER

Select an EQ profile

1. When the radio is turned on, in any mode except from inside a menu, press the **EQ button** to access the EQ menu.
2. Rotate the **VOLUME knob** to select an EQ profile and press to confirm.

EQ profiles available

Flat	Outdoor	Rock	My EQ
Indoor	Pop	News	My EQ Setup

Personalised EQ profile (My EQ Setup)

You can personalise the equaliser according to your preference.

1. Repeat the above steps and select "My EQ Setup".
2. Rotate the **VOLUME knob** to adjust the treble level and then press the **VOLUME knob** to confirm.
3. Follow the above setting steps to set the desired middle level and bass level.

LOUDNESS

When the radio is turned on, press the **LOUDNESS button** to enable or disable the radio's loudness function.

SOFTWARE UPGRADE

The Upgrade socket inside the compartment in the back of the radio is intended to be used by the producer or by its qualified agents to update the software, and it is not intended to be used by the user.

RESET BUTTON

Unlike the "Factory Reset" option in the System Settings menu, which restores the original settings of the radio, the purpose of the **RESET button** located inside the compartment in the back of the radio is to force restart the radio in the event of a system failure or a software crash.

Note: Pressing this button will not restore the original factory settings.

SPECIFICATIONS


Frequency Coverage	FM 87.50-108 MHz
	DAB 174.928-239.2 MHz
AC Power	AC 100-240 V ~ 50/60 Hz 70W
Batteries (lithium battery 18650 10.8V)	Nominal Capacity: 3200mAh
	Rated Capacity: 2880mAh 31.1Wh
DC IN	12V / 3A
Bluetooth	
Bluetooth specification	Bluetooth® Ver 5.0
Profile Support	A2DP, AVRCP 1.6
Bluetooth Audio CODEC	SBC, AAC
Transmitting Power Specification	Power Class 2
Line of sight range	10meters / 30feet
The frequency and maximum transmitted power 2402MHz ~ 2480MHz	BT EDR EIRP: -1.52dBm
	BT LE EIRP: -1.40dBm
Output power	9W + 9W @ 100Hz @ lithium battery 10.8V
	12W + 12W @ 100Hz @ AC 100-240 V
Aux In socket	3.5mm diameter, stereo jack to be mixed as monaural
Input sensitivity	300m Vrms at output 12W + 12W @ 100Hz
Input impedance	47kohm
DC Out	USB Socket, 5V 1000mA
Speaker unit	6.5inches (4+4) ohm (15+15) W, Dual coil full range
	FM / DAB / DAB+ bended spring antenna
Battery life	Approx. 14hours at normal volume level
Operating temperature range	0°C to +40°C
Information on Power Consumption	
Power standby	The device has a standby mode with a power consumption of less than 0.8W.
Bluetooth mode	In Bluetooth mode, when there is no signal output, the idle power consumption is 2.6W after 15 minutes.
AUX mode	In AUX mode, when there is no signal output, the idle power consumption is 3.3W after 15 minutes.

※ The barcode label on the product is defined as below:



aH 18 12 00001
Serial number
Production month
Production year
Product code

Sangean reserves the right to amend the specifications without notice.

 RECYCLING This product bears the selective sorting symbol for Waste electrical and electronic equipment (WEEE). This means that this product must be handled pursuant to European directive 2012/19/EU in order to be recycled or dismantled to minimize its impact on the environment.